

DELUXE PRESS-ON LATERAL COUPLER SET

1" outlet, band and hook assembly, and drain gasket.

Part #	Part Weight	Part Size
--------	-------------	-----------

2DPOLS	2.40 lbs	2"
--------	----------	----

3DPOLS	3.20 lbs	3"
--------	----------	----

4DPOLS	4.50 lbs	4"
--------	----------	----



PRESS-ON LATERAL COUPLER SET

1" outlet, band and hook assembly, and drain gasket.

Part #	Part Weight	Part Size
--------	-------------	-----------

3POL	2.80 lbs	3"
------	----------	----



PRESS-ON MAINLINE COUPLER BAND AND HOOK SET

Includes coupler, gasket, band and hook.

Part #	Part Weight	Part Size
--------	-------------	-----------

3POMS	2.20 lbs	3"
-------	----------	----

4POMS	3.30 lbs	4"
-------	----------	----

5POMS	4.20 lbs	5"
-------	----------	----

6POMS	5.30 lbs	6"
-------	----------	----



4" RISER VALVE, ALUMINUM WELD ON

Part #	Part Weight	Part Size
--------	-------------	-----------

4RVA	3.40 lbs	4"
------	----------	----

Without saddle, plain end for special fabrication and welding, replaceable spider.



4" RISER VALVE ALUMINUM, MALE OR FEMALE THREAD

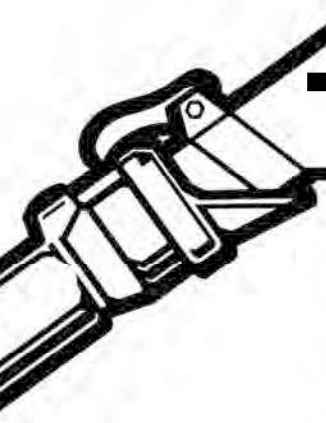
With replaceable spider.

Part #	Part Weight	Part Size
--------	-------------	-----------

4RVRAM	3.40 lbs	4" x 4" MIPT
--------	----------	--------------

4RVAF	4.70 lbs	4" x 4" FIPT
-------	----------	--------------

TRAVIS



VALVE OPENING ELBOW

Part #	Part Weight	Part Size
3 VOE	8.00 lbs	4" x 3"
4 VOE	8.80 lbs	4" x 4"



CUB RISER VALVE

Female thread 2".

Part #	Part Weight	Part Size
CRVF2	1.70 lbs	3"OD x 2"FIPT



CUB VALVE OPENING ELBOW

Used to open 3" valves.

Part #	Part Weight	Part Size
2CVOE	2.90 lbs	3" x 2"
3CVOE	3.40 lbs	3" x 3"



WHEEL LINE COUPLER GASKETS - SHUR ROLL

Part #	Part Weight	Part Size
40SWG	O RING	4"
4WG	O RING	4 ¹ / ₂ "
5WG	O RING	5"



HOOK & FERRULE ONLY

Part #	Part Weight
201012	0.30 lbs
Ferrule A	—

BAND & HOOK ASSEMBLY

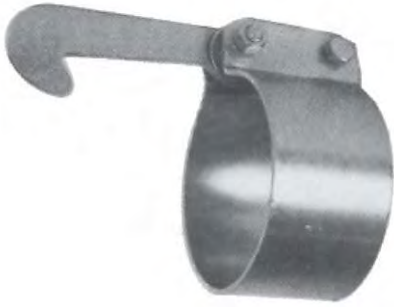
Single strength hook.

Recommended pressures:

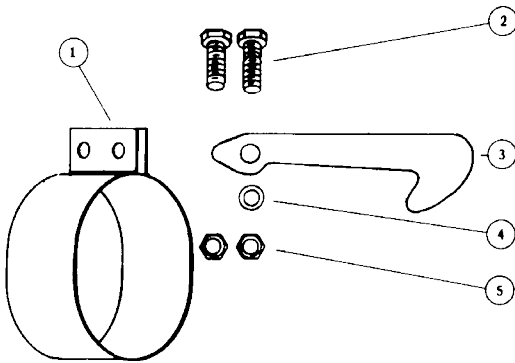
2" thru 6" - 100 PSI

7" thru 8" - 60 PSI

10" - 40 PSI



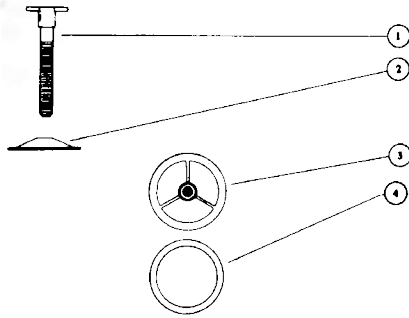
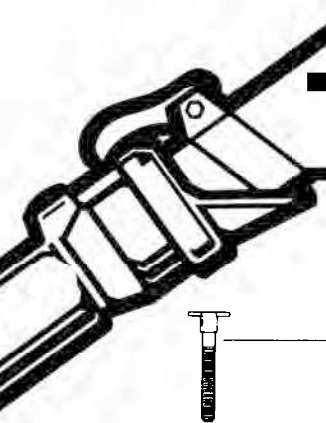
Part #	Part Weight	Part Size
2 BH 1	0.70 lbs	2"
3BH 1	0.80 lbs	3"
4BH 1	1.30 lbs	4"
5BH 1	1.60 lbs	5"
6BH 1	1.80 lbs	6"
7BH 1	2.60 lbs	7"
8BH 1	3.00 lbs	8"



ITEM NO. 901 - BAND & HOOK ASSEMBLY

Part #	Part Size
1 B 200	2"
B 300	3"
B 400	4"
B 500	5"
B 600	6"
B 700	7"
B 800	8"
2 C 1.5	$\frac{3}{8}$ " x $1\frac{1}{2}$ "
3 201012	—
4 Ferrule A	$\frac{3}{8}$ "
5 N 1	$\frac{3}{8}$ "

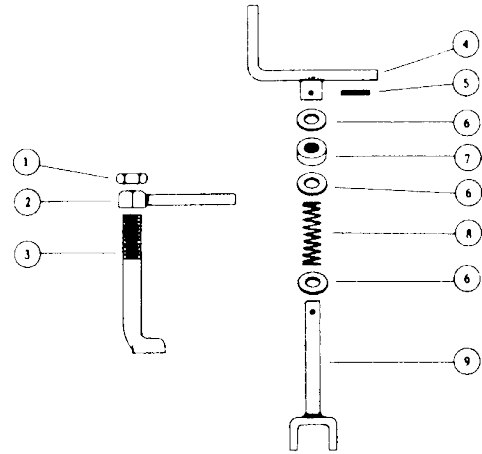
TRAVIS



ITEM NO. 905 MAINLINE VALVE PARTS

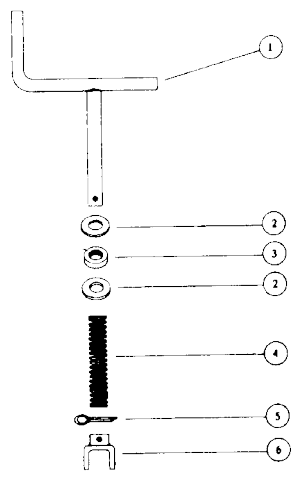
Part #	Part Size
1 Stem 6 ³ / ₄	5/8" x 6 ³ / ₄ "
2 Domed Disc 4	4"
3 905 3 Spider Casting	STD
4 905 4 Spider Gasket	STD

ITEM NO. 906 CUB VALVE OPENER PARTS



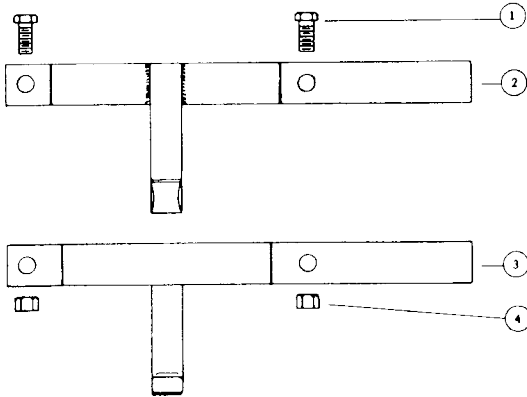
Part #	Description	Part Size
1 906 1	Jam Nut	STD
2 906 2	Handle Nut	STD
3 906 3	Hook Bolt	STD
4 906 4	Handle & Socket	CUB
5 906 5	Roll Pin	CUB
6 906 6	Shaft Washer	CUB
7 906 7	"U" Cup Gasket	CUB
8 906 8	Shaft Spring	CUB
9 906 9	Shaft & Yoke	CUB
906 10	Shaft assembly items 4 - 9	

ITEM NO. 907 VALVE OPENER PARTS



Part #	Description	Part Size
1 907 1	Handle & Shaft	STD
2 907 2	Shaft Washer	STD
3 907 3	"U" Cup Gasket	STD
4 907 4	Shaft Spring	STD
5 907 5	Shaft Cotter Key	STD
6 907 6	Yoke & Socket	STD
907 7	Shaft assembly items 1- 6	

ITEM NO. 908 CAM LOCKING RING PARTS



Note: Face VOE with locking ring handle towards you to determine right and left halves.

Part #	Description	Part Size
① 908 1	Cap Screw (2 required)	$\frac{3}{8}$ "
② 908 2	Handle Locking Ring (left half)	STD
③ 908 3	Handle Locking Ring (right half)	STD
④ N 1	Hex Nut (2 required)	$\frac{3}{8}$ "
908 4	Complete Opener Handle Items 1-4	

MOORE RANE GASKETS

NON DRAIN WIDE STYLE



Part #	Part Size
2 NDG	2"
3 NDG	3"
4 NDG	4"
5 NDG	5"
6 NDG	6"
7 NDG	7"
8 NDG	8"
10 NDG	10"

SOLID LOCK NARROW STYLE



Part #	Part Size
G 22	2"
G 23	2"
E 23	3"
E 13	3"